

Sealed Top and Rear Domed or Convex Lens

[Key Characteristics

Functional

- 10mm mounting
- 60° to 100° viewing angle

Resilient

- IP68 sealed
- Glass and metal construction
- -40 to 85°C operating temp
- -55 to 100°C storage temp

Adaptable

- Full colour range with lens options
- Voltage and current options
- Customer specials on request

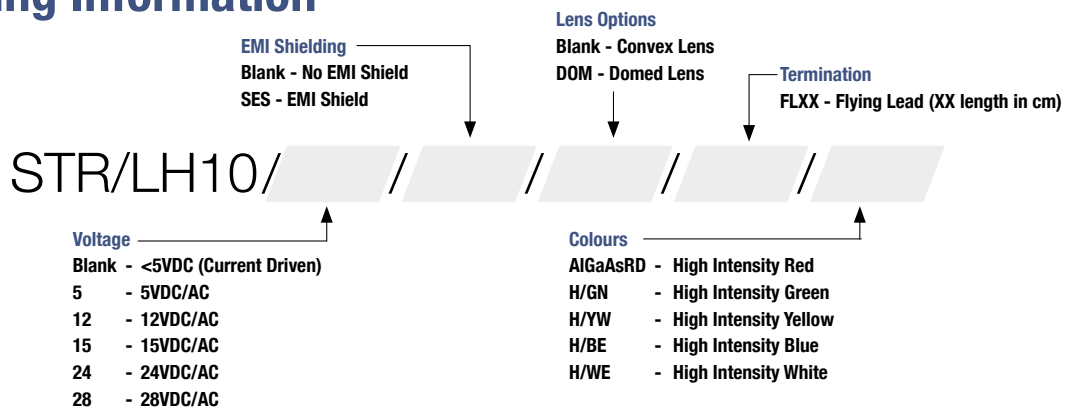


[Specifications

COLOURS									
Luminous Intensity	mcd	White	AlGaAs Red	Yellow	Green	Blue	Voltage		Current (mA)
							Forward	Reverse	
High Intensity	3000	✓	x	x	x	x	5, 12, 15, 24, 28	5, 12, 15, 24, 28	9
	250	x	✓	x	x	x	5, 12, 15, 24, 28	5, 12, 15, 24, 28	15
	2500	x	x	✓	x	x	5, 12, 15, 24, 28	5, 12, 15, 24, 28	15
	3000	x	x	x	✓	x	5, 12, 15, 24, 28	5, 12, 15, 24, 28	9
	1000	x	x	x	x	✓	5, 12, 15, 24, 28	5, 12, 15, 24, 28	15

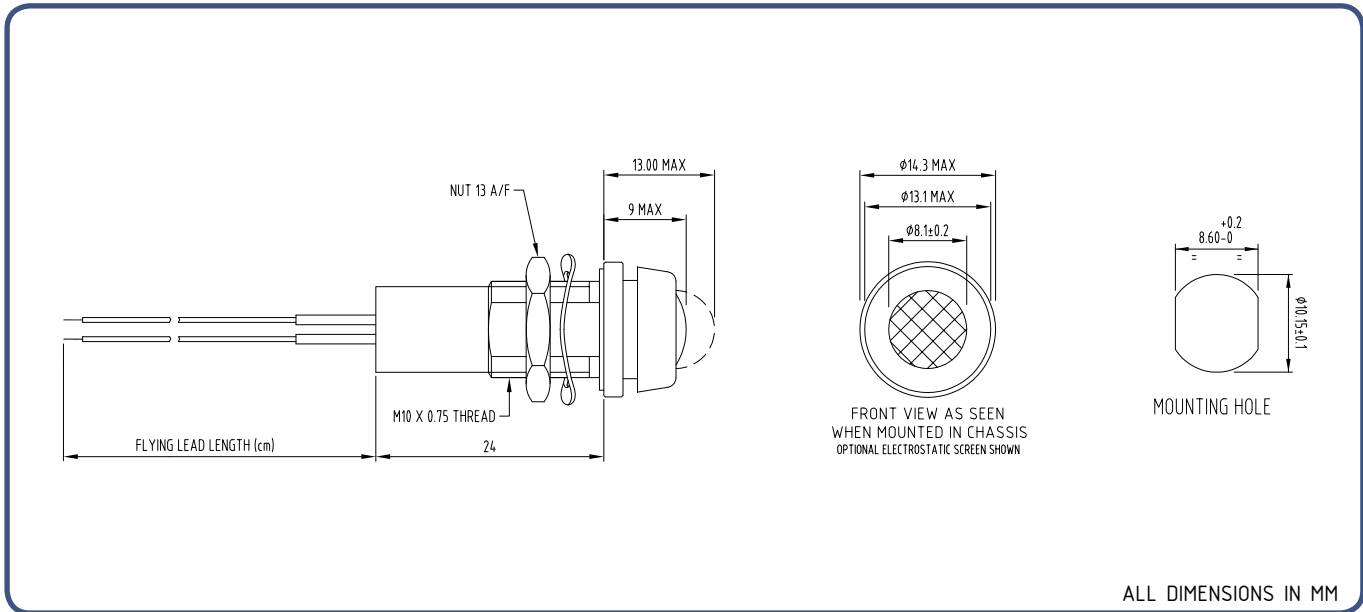
Running at AC voltage will reduce the luminous intensity by about half

[Ordering Information



Example: STR/LH10/12/FL30/H/GN - 12VDC/AC, No EMI Shield, Convex Lens, Flying Leads 30cm, High Intensity Green

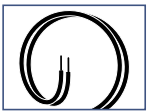
Example: STR/LH10/SES/FL30/AlGaAsRD - Current Driven, EMI Shield, Convex Lens, Flying Leads 30cm, High Intensity Red



Technical Information

Terminations	Flying Leads - Raychem 44, 24AWG
Shroud	Aluminium Alloy, Black Anodised
Lens	Glass
Body and Nut	Aluminium Alloy
Washer	BeCu Tin Plated
Sealing Ring	Fluorocarbon Rubber
Chassis Thickness	6.5mm max
Mounting Hole	10.15mm + 0.1
Recommended Mounting Torque	1Nm (0.74lb.ft)
Mean Time Before Failure	90,000 hours

Termination Options



Flying Leads

Lens Options



Convex



Dome

Distributed by

