

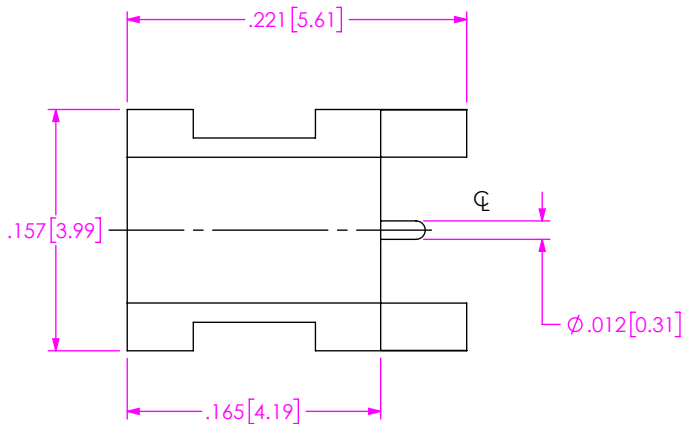
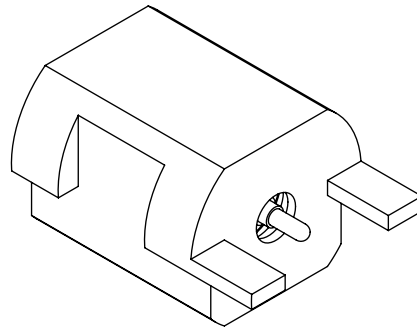
DESIGNED AND DIMENSIONED IN INCHES[MILLIMETERS]
ALL DIMENSIONS REFERENCE EXCEPT AS SHOWN

DO NOT SCALE FROM THIS PRINT

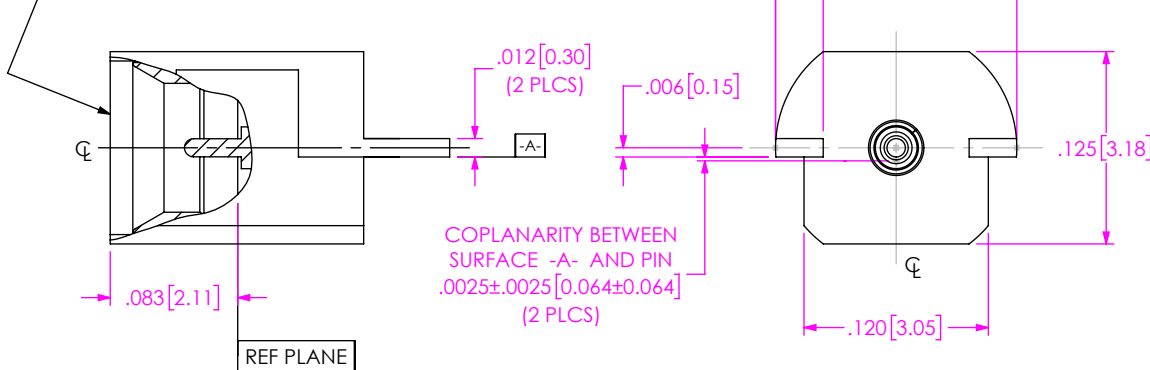
SMPM-PF-P-XX-ST-EM-1

GENDER -P: PLUG
INTERFACE -F: FULL DETENT
TYPE -P: PCB
OPTION -1
TERMINATION -EM: EDGE MOUNT
ORIENTATION -ST: STRAIGHT

PLATING SPECIFICATION
(VALUES GIVEN ARE IN MICRO-INCHES)
-HG:30µ" GOLD, PIN CONTACT 10µ" GOLD,
INTERFACE OUTER CONTACT 3µ" GOLD,
BODY OUTER CONTACT

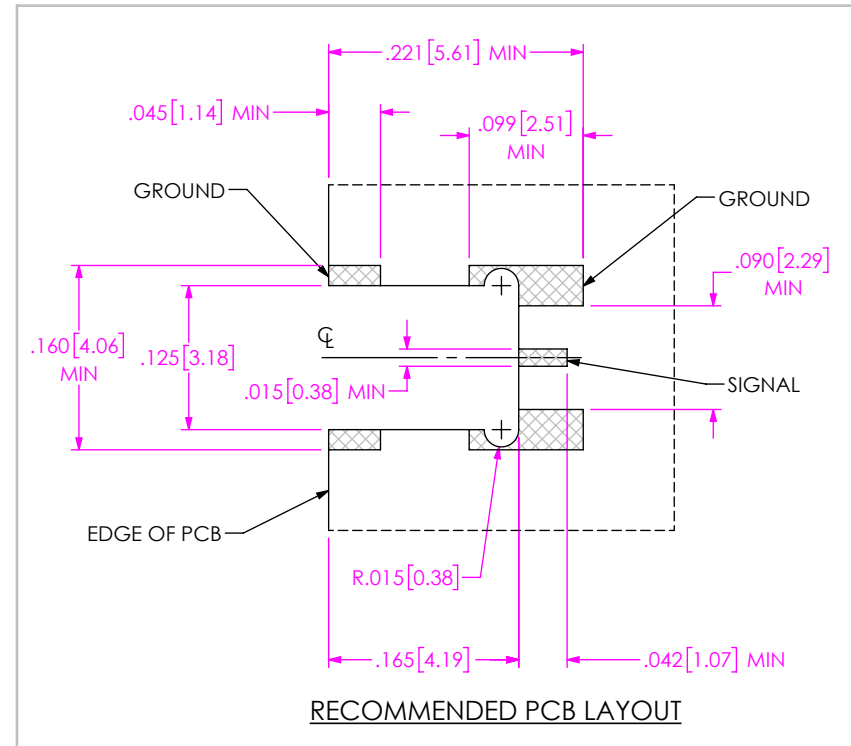


SMPM PLUG INTERFACE
I.A.W. MIL-STD-348 FIG'S
328-2 AND FIG 328-3.



COPLANARITY BETWEEN
SURFACE -A- AND PIN
.0025±.0025 [0.064±0.064]
(2 PLCS)

FIG 1
SMPM-PF-P-XX-ST-EM-1 SHOWN



RECOMMENDED PCB LAYOUT

NOTES:

1. TRAYS TO BE STANDARD PACKAGING

PROPRIETARY NOTE
THIS DOCUMENT CONTAINS CONFIDENTIAL AND PROPRIETARY INFORMATION AND ALL DESIGN, MANUFACTURING, REPRODUCTION, USE, PATENT RIGHTS AND SALES RIGHTS ARE EXPRESSLY RESERVED BY SAMTEC, INC. THIS DOCUMENT SHALL NOT BE DISCLOSED, IN WHOLE OR PART, TO ANY UNAUTHORIZED PERSON OR ENTITY NOR REPRODUCED, TRANSFERRED OR INCORPORATED IN ANY OTHER PROJECT IN ANY MANNER WITHOUT THE EXPRESS WRITTEN CONSENT OF SAMTEC, INC.



520 PARK EAST BLVD, NEW ALBANY, IN 47150
PHONE: 812-944-6733 FAX: 812-948-5047
e-Mail info@SAMTEC.com code 55322

DO NOT SCALE DRAWING
SHEET SCALE: 8:1
MATERIAL:
BODY, BUSHING & PIN: GOLD PLATED
COPPER ALLOY
INSULATOR: PEK HIGH TEMP POLYMER

DESCRIPTION:
SMPM-PLUG, EDGE MOUNT
DWG. NO.
SMPM-PF-P-XX-ST-EM-1