

Customer Information Sheet

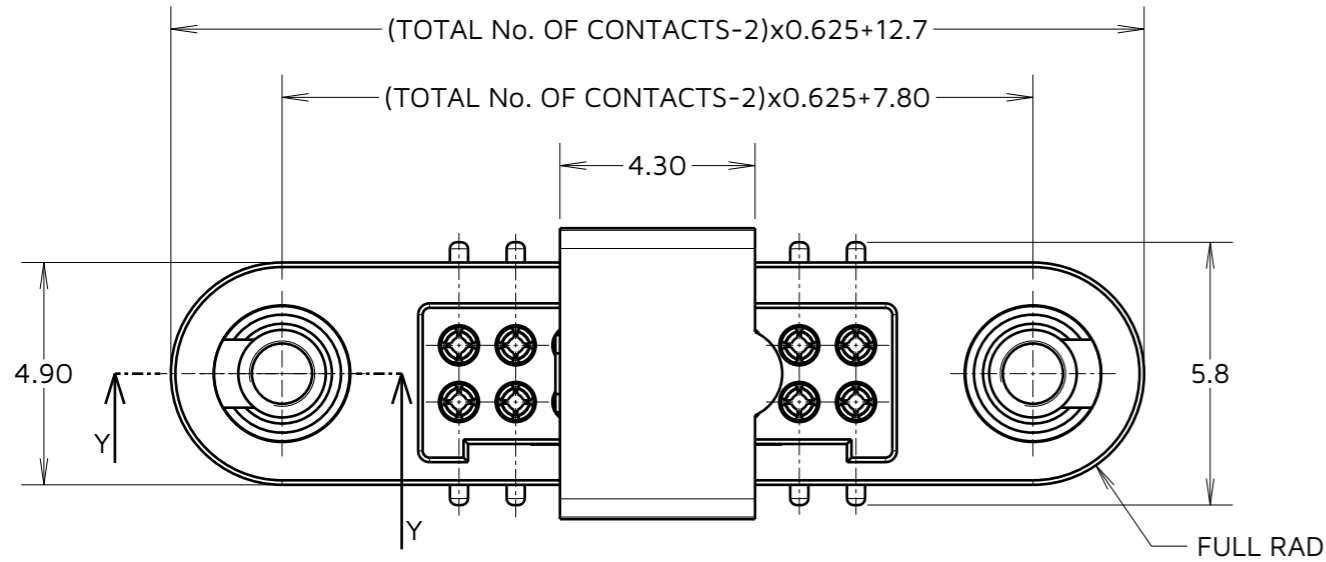
IF IN DOUBT - ASK



NOT TO SCALE

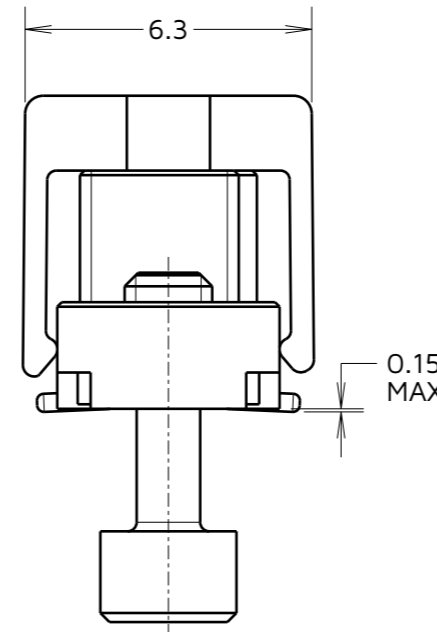
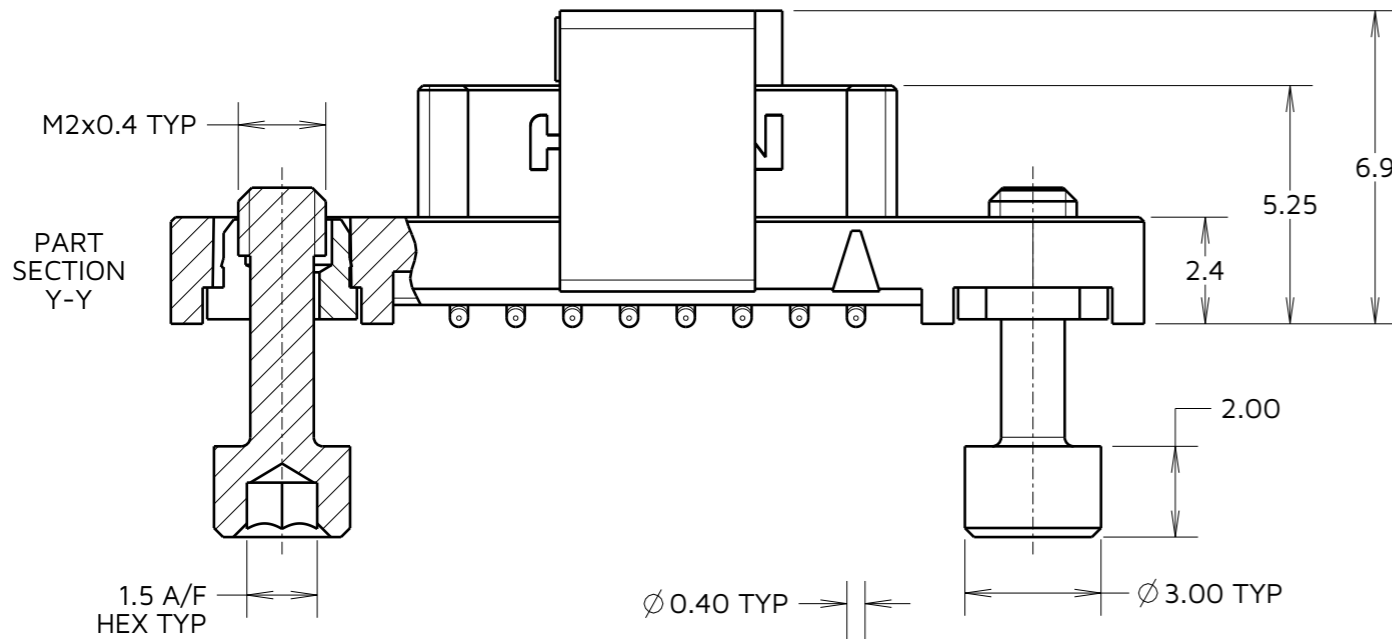
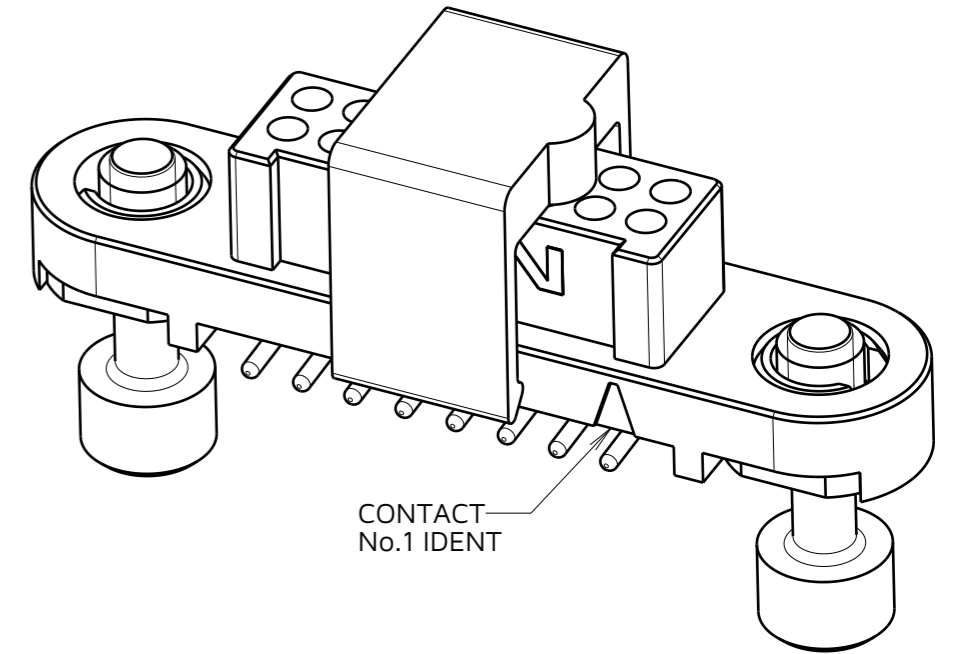
THIRD ANGLE PROJECTION

ALL DIMENSIONS IN mm

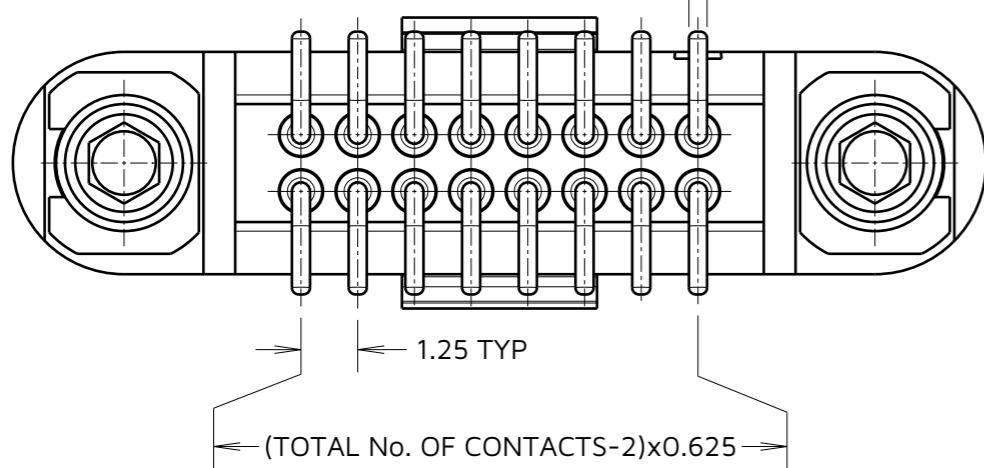
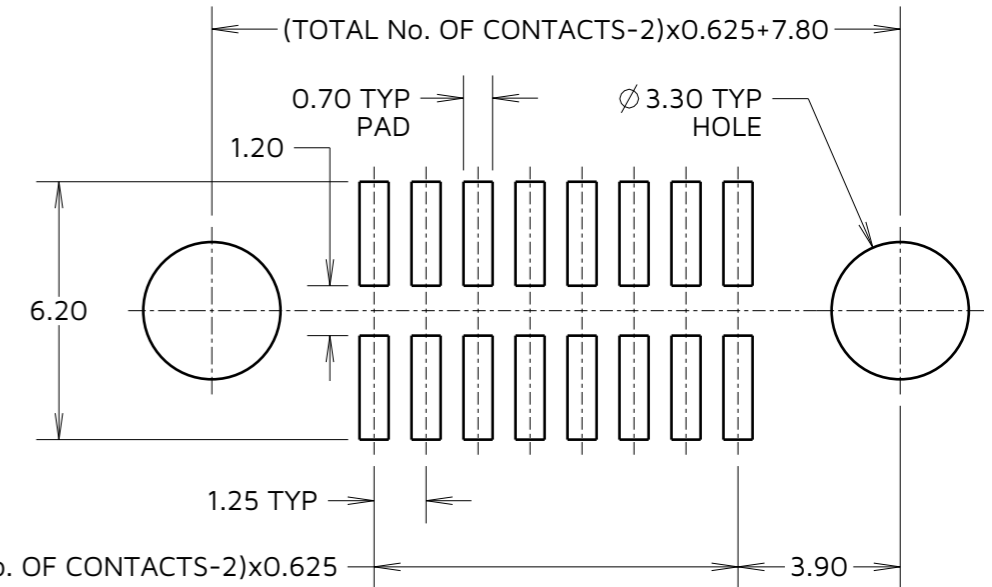


ORDER CODE:
G125-FS1XX05F1P

TOTAL No. OF CONTACTS:
06, 10, 12, 16, 20, 26, 34 & 50.



RECOMMENDED PCB LAYOUT
(ALL TOLERANCES ±0.05)



CONNECTOR AND PCB LAYOUT DETAILS ONLY.
SEE SHEET 6 FOR TAPE STRIP DETAILS.

- NOTES:
1. FOR COMPLETE SPECIFICATION, SEE COMPONENT SPECIFICATION C125XX (LATEST ISSUE).
 2. CO-PLANARITY OF SMT TAILS = 0.10mm MAX.
 3. DRAWING SHOWS CONNECTOR WITH 16 CONTACTS.

MGP	5	26.04.23	32485
NAME	ISS.	DATE	CN/CO
APPROVED: MGP			
CHECKED: RTP			
DRAWN: MARK G PLESTED			
ASSEMBLY DRG:			



HARWIN

www.harwin.com

TOLERANCES
X. = ±1mm
X.X = ±0.50mm
X.XX = ±0.20mm
X.XXX = ±0.01mm
ANGLES = ±5°
UNLESS STATED

THIS DRAWING AND ANY INFORMATION OR DESCRIPTIVE MATTER SET OUT HEREON ARE CONFIDENTIAL AND COPYRIGHT PROPERTY OF THE HARWIN GROUP AND MUST NOT BE DISCLOSED, LOANED, COPIED OR USED FOR MANUFACTURING, TENDERING OR FOR ANY OTHER PURPOSE WITHOUT THEIR WRITTEN PERMISSION.

MATERIAL:
SEE ABOVE

TITLE:
GECKO SL SERIES FEMALE
VERTICAL SMT CONNECTOR

DRAWING NUMBER:
G125-FS1XX05F1P

SHT
5 OF
6

Customer Information Sheet

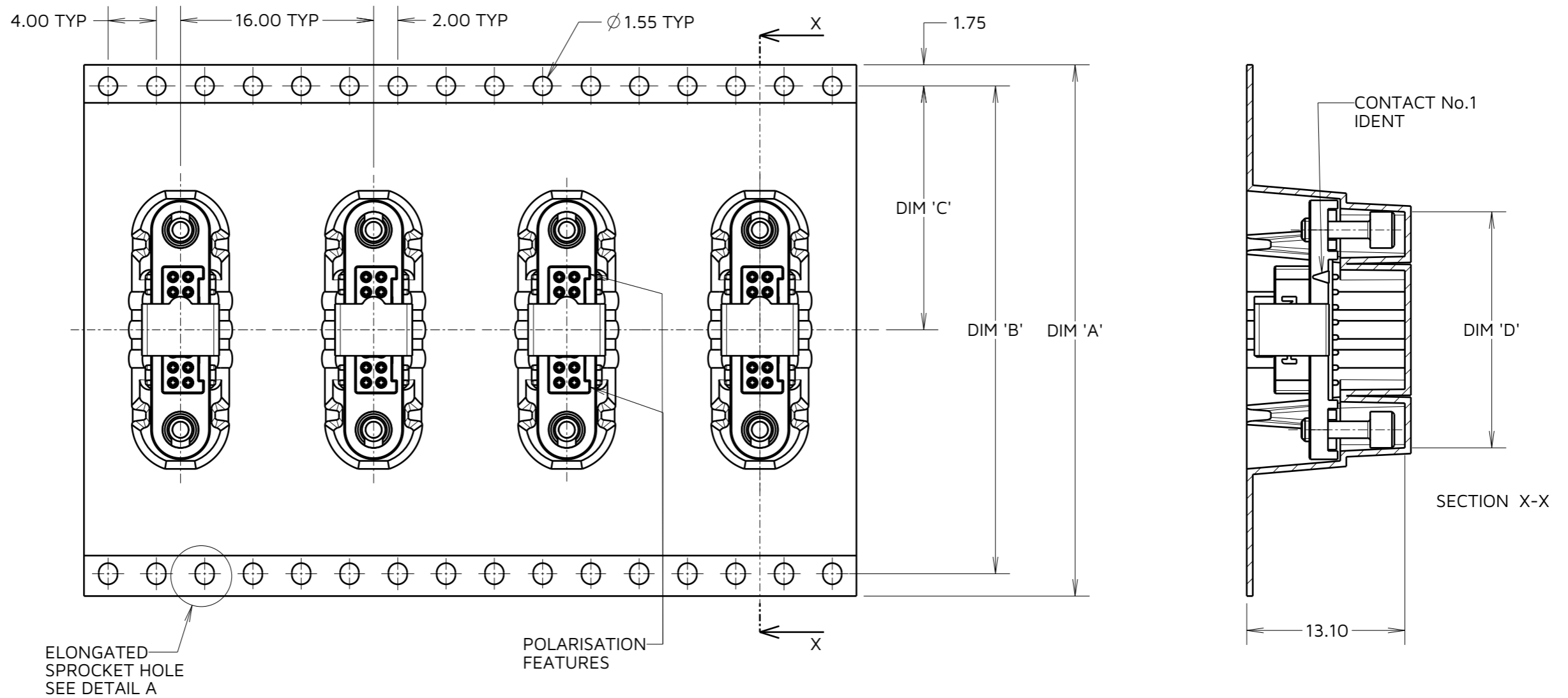
IF IN DOUBT - ASK

©

NOT TO SCALE

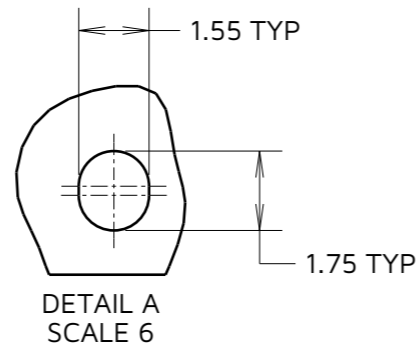
THIRD ANGLE PROJECTION

ALL DIMENSIONS IN mm



ORDER CODE:
G125-FS1XX05F1P

TOTAL No. OF CONTACTS:
06, 10, 12, 16, 20, 26, 34 & 50.



PART No.	DIM 'A'	DIM 'B'	DIM 'C'	DIM 'D'
G125-FS10605F1P				13.60±0.15
G125-FS11005F1P	32.0±0.3	28.40	14.20±0.15	16.10±0.15
G125-FS11205F1P				17.35±0.15
G125-FS11605F1P				19.85±0.15
G125-FS12005F1P	44.0±0.3	40.40	20.20±0.15	22.20±0.15
G125-FS12605F1P				26.00±0.15
G125-FS13405F1P	56.0±0.3	52.40	26.20±0.15	30.90±0.15
G125-FS15005F1P				41.00±0.15

MGP	5	26.04.23	32485
NAME	ISS.	DATE	CN/CO
APPROVED: MGP			
CHECKED: RTP			
DRAWN: MARK G PLESTED			
ASSEMBLY DRG:			

- NOTES:
- COMPONENTS ARE ORIENTED IN TAPE POCKETS AS SHOWN.
 - COMPONENTS ARE SUPPLIED IN STRIPS OF 10 UNLESS OTHERWISE SPECIFIED.
 - LARGE QTY'S MAY BE SHIPPED ON A REEL AND MAY NOT HAVE A LEADER.
 - FOR PARTS ON REEL SUITABLE FOR AUTOMATIC MACHINE PLACEMENT PLEASE ORDER: G125-FS1XX05F1R.

HARWIN

www.harwin.com

TOLERANCES
X. = ±1mm
X.X = ±0.50mm
X.XX = ±0.20mm
X.XXX = ±0.01mm
ANGLES = ±5°
UNLESS STATED

THIS DRAWING AND ANY INFORMATION OR DESCRIPTIVE MATTER SET OUT HEREON ARE CONFIDENTIAL AND COPYRIGHT PROPERTY OF THE HARWIN GROUP AND MUST NOT BE DISCLOSED, LOANED, COPIED OR USED FOR MANUFACTURING, TENDERING OR FOR ANY OTHER PURPOSE WITHOUT THEIR WRITTEN PERMISSION.

MATERIAL:

SEE ABOVE

TITLE:
GECKO SL SERIES FEMALE VERTICAL SMT CONNECTOR

DRAWING NUMBER:
G125-FS1XX05F1P

SHT
6 OF 6