

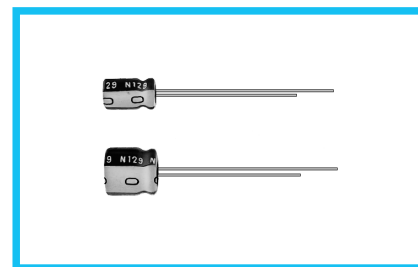
ALUMINUM ELECTROLYTIC CAPACITORS

ST series 7mmL, Wide Temperature Range



- Wide temperature range of -55 to +105°C, with 7mm height.
- Compliant to the RoHS directive (2011/65/EU).

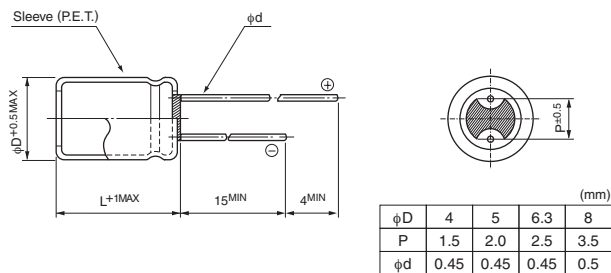
ST



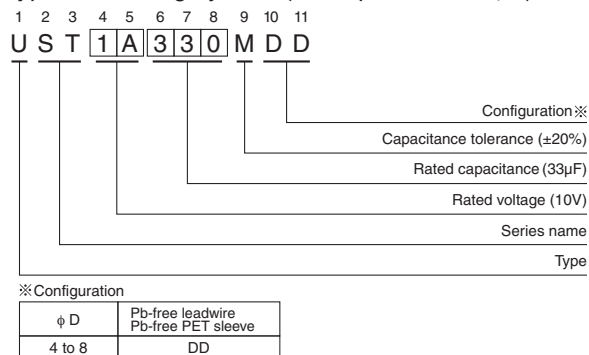
Specifications

Item	Performance Characteristics					
Category Temperature Range	-55 to +105°C					
Rated Voltage Range	6.3 to 50V					
Rated Capacitance Range	0.1 to 220μF					
Capacitance Tolerance	±20% at 120Hz, 20°C					
Leakage Current	After 2 minutes' application of rated voltage at 20°C, leakage current is not more than 0.01CV or 3 (μA), whichever is greater.					
Tangent of loss angle (tan δ)	Measurement frequency : 120Hz at 20°C					
	Rated voltage (V)	6.3	10	16	25	35
Stability at Low Temperature	Measurement frequency : 120 Hz					
	Impedance ratio	Z-25°C / Z+20°C	3	2	2	2
Endurance	The specifications listed at right shall be met when the capacitors are restored to 20°C after the rated voltage is applied for 1000 hours at 105°C.					
	Capacitance change	Within ±25% of the initial capacitance value (16V or less) Within ±20% of the initial capacitance value (25V or more)				
Shelf Life	After storing the capacitors under no load at 105°C for 1000 hours and then performing voltage treatment based on JIS C 5101-4 clause 4.1 at 20°C, they shall meet the specified values for the endurance characteristics listed above.					
	Printed with white color letter on black sleeve.					

Radial Lead Type



Type numbering system (Example : 10V 33μF)



Dimensions

Cap.(μF)	Code	V		6.3		10		16		25		35		50	
				OJ		1A		1C		1E		1V		1H	
0.1	OR1													4 × 7	1.0
0.22	R22													4 × 7	2.3
0.33	R33													4 × 7	3.5
0.47	R47													4 × 7	5.0
1	010													4 × 7	10
2.2	2R2													4 × 7	19
3.3	3R3													4 × 7	24
4.7	4R7											4 × 7	24	5 × 7	29
10	100							4 × 7	29	5 × 7	33	5 × 7	36	6.3 × 7	44
22	220	4 × 7	34	5 × 7	38	5 × 7	44	6.3 × 7	51	6.3 × 7	57	6.3 × 7	57	8 × 7	65
33	330	5 × 7	42	5 × 7	47	6.3 × 7	57	6.3 × 7	63	8 × 7	72				
47	470	5 × 7	50	6.3 × 7	59	6.3 × 7	68	8 × 7	78						
100	101	6.3 × 7	77	8 × 7	96	8 × 7	107								
220	221	8 × 7	130	8 × 7	140										
														Case size φD × L (mm)	Rated ripple

Frequency coefficient of rated ripple current

Frequency	50 Hz	120 Hz	300 Hz	1 kHz	10 kHz or more
Coefficient	0.70	1.00	1.17	1.36	1.50

Rated ripple current 120Hz
Please refer to page 20, 21, 22 about the formed or taped product spec.
Please refer to page 4 for the minimum order quantity.

CAT.8100D

Mouser Electronics

Authorized Distributor

Click to View Pricing, Inventory, Delivery & Lifecycle Information:

[Nichicon:](#)

[UST1C101MDD1TA](#) [UST1H220MDD1TD](#)