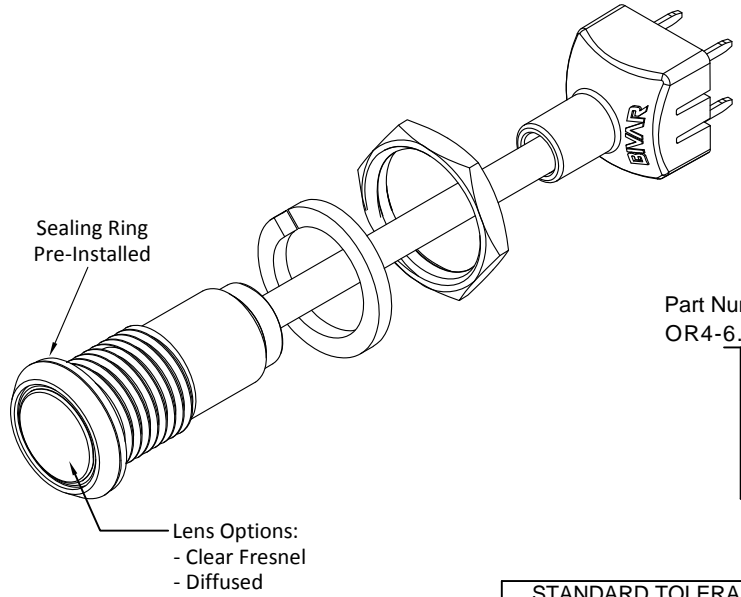
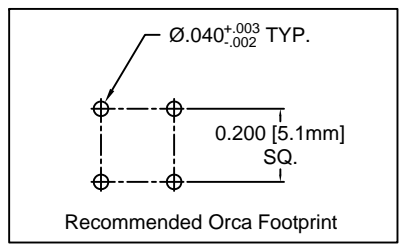
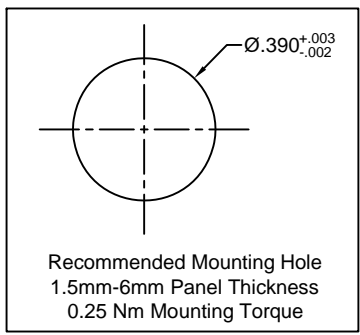
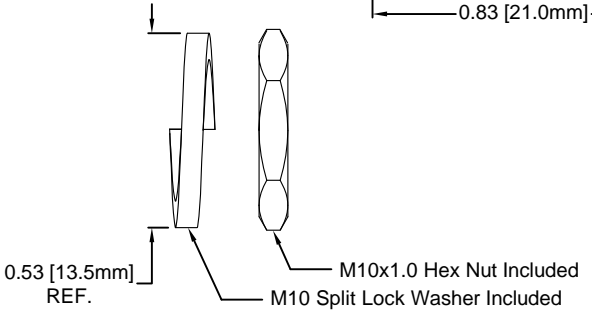
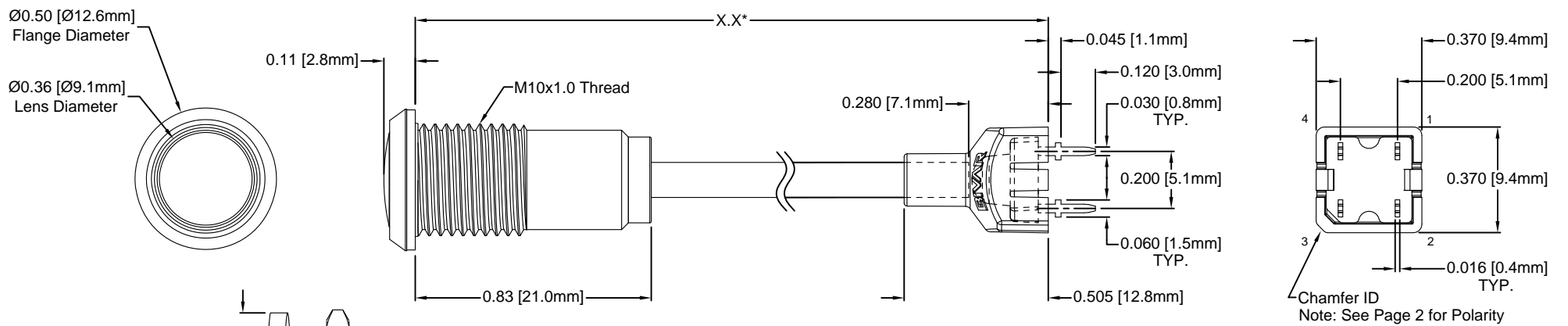


| REV. | DESCRIPTION | DATE | APPROVED |
|------|---------------------|----------|----------|
| A | Engineering Release | 05/12/17 | J. C. |
| | | | |
| | | | |
| | | | |

| *Length "X.X" | Tolerance |
|----------------|-----------|
| 2.0" ~ 16.0" | ±0.05" |
| 16.1" ~ 40.0" | ±0.15" |
| 40.1" ~ 80.0" | ±0.30" |
| 80.1" ~ 500.0" | ±0.5% |



Part Number Configuration
OR4-6.5-UR-F9PX67PR

- Lens Options:
 Z – Clear Fresnel
 D – Diffused
- LED Color, See Page 2
- Length in 0.1" Increments Only

- NOTES:**
1. SEALED TO IP67 RATING
 2. ROHS COMPLIANT
 3. MOUNTING HARDWARE AND ADAPTER SHIPPED NON-ASSEMBLED
 4. MINIMUM BEND RADIUS OF FLEXIBLE LIGHT PIPE: 1.22" [31mm]

| STANDARD TOLERANCE (UNLESS OTHERWISE SPECIFIED) | | BIVAR® | |
|---|-----------------------|--|--|
| DECIMALS | ANGULAR | 4 THOMAS, IRVINE, CA. 92618 | |
| .X ± .1 | X° ± 1° | TEL: (949) 951-8808 FAX: (949) 951-3974 | |
| .XX ± .02 | | TITLE: IP67 RATED PANEL MOUNT FLP INDICATOR, ORCA | |
| .XXX ± .010 | | PART NO: OR4-X.X-XXX-F9PX67PR | |
| DESIGNED: TD. Nguyen | DATE: 04/30/17 | REVISION: A | |
| CHECKED: K. Baron | DATE: 04/30/17 | CAGE CODE : 32559 SHEET # 1 OF 2 | |
| CAD GENERATED DOCUMENT. DO NOT MEASURE DRAWING. | | | |

| | | | |
|------|--------------|------|----------|
| REV. | DESCRIPTION | DATE | APPROVED |
| | SEE SHEET #1 | | |

| Assy P/N | Emitted Color | Dominant Wavelength λ_d (nm) / CCT (K) | Absolute Max. Ratings | | | LED Electro-Optical Data | | | | | LED P/N | Polarity Diagram |
|--|---------------|--|-----------------------|---------|--------------|--------------------------|-----|-----|--------------|-------|---------------|------------------|
| | | | Pd (mW) | If (mA) | Peak If (mA) | Vf (V) | | | LED Iv (mcd) | | | |
| | | | | | | MIN | TYP | MAX | MIN | TYP | | |
| SINGLE COLOR LED ASSEMBLIES (20m A) | | | | | | | | | | | | |
| OR4-X.X-BLU-F9PX67PR | BLUE | 465 - 475 | 220 | 50 | 100 | 2.7 | 3.2 | 3.6 | 5000 | 8000 | R20BLU-4-0045 | FIG. A |
| OR4-X.X-GRN-F9PX67PR | GREEN | 517 - 527 | 220 | 50 | 100 | 2.7 | 3.2 | 3.6 | 15000 | 25000 | R20GRN-4-0045 | FIG. A |
| OR4-X.X-WHT-F9PX67PR | WHITE | 6000K | 220 | 50 | 100 | 2.7 | 3.2 | 3.6 | 10000 | 16000 | R20WHT-4-0045 | FIG. A |
| SINGLE COLOR LED ASSEMBLIES (50m A) | | | | | | | | | | | | |
| OR4-X.X-RED-F9PX67PR | RED | 620 - 635 | 140 | 80 | 160 | 1.8 | 2.4 | 2.6 | 12000 | 18000 | R50RED-4-0045 | FIG. A |
| OR4-X.X-YLW-F9PX67PR | YELLOW | 588 - 596 | 140 | 80 | 160 | 1.8 | 2.4 | 2.6 | 12000 | 18000 | R50YLW-4-0045 | FIG. A |
| BI-COLOR & TRI-COLOR LED ASSEMBLIES (50m A) | | | | | | | | | | | | |
| OR4-X.X-RG-F9PX67PR | RED | 617 - 630 | 150 | 80 | 160 | 1.8 | 2.4 | 2.6 | 3000 | 4000 | R50RG2-4-0045 | FIG. B |
| | GREEN | 515 - 525 | 220 | 80 | 150 | 3.0 | 3.4 | 3.8 | 6000 | 10000 | | |
| OR4-X.X-RB-F9PX67PR | RED | 617 - 630 | 150 | 80 | 160 | 1.8 | 2.4 | 2.6 | 3000 | 4000 | R50RB2-4-0045 | FIG. C |
| | BLUE | 460 - 470 | 220 | 80 | 150 | 3.0 | 3.4 | 3.8 | 1000 | 3000 | | |
| OR4-X.X-BG-F9PX67PR | BLUE | 460 - 470 | 220 | 80 | 150 | 3.0 | 3.4 | 3.8 | 1000 | 3000 | R50BG2-4-0045 | FIG. D |
| | GREEN | 515 - 525 | 220 | 80 | 150 | 3.0 | 3.4 | 3.8 | 6000 | 10000 | | |
| OR4-X.X-RGB-F9PX67PR | RED | 617 - 630 | 150 | 80 | 160 | 1.8 | 2.4 | 2.6 | 3000 | 4000 | R50RGB-4-0045 | FIG. E |
| | GREEN | 515 - 525 | 220 | 80 | 150 | 3.0 | 3.4 | 3.8 | 6000 | 10000 | | |
| | BLUE | 460 - 470 | 220 | 80 | 150 | 3.0 | 3.4 | 3.8 | 1000 | 3000 | | |

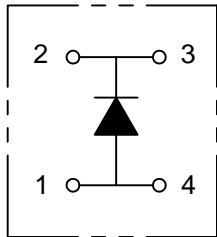


FIG. A

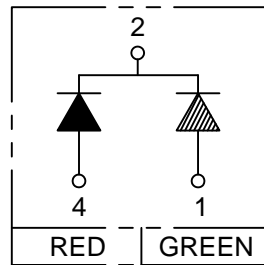


FIG. B

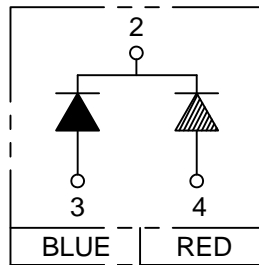


FIG. C

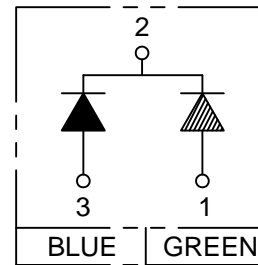


FIG. D

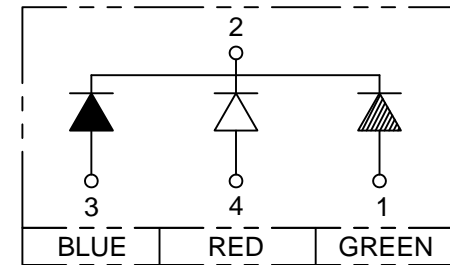




FIG. E

ABSOLUTE MAXIMUM RATINGS (Ta=25°C)

| | |
|---|---------------------|
| REVERSE VOLTAGE _____ | 5V |
| REVERSE CURRENT _____ | 10 μ A |
| OPERATING TEMPERATURE RANGE _____ | -25°C ~ +80°C |
| STORAGE TEMPERATURE _____ | -30°C ~ +80°C |
| LEAD SOLDERING TEMPERATURE(1/16" FROM BODY) _____ | 260°C FOR 5 SECONDS |

| | | | |
|---|--------------------------|--|--|
| STANDARD TOLERANCE (UNLESS OTHERWISE SPECIFIED) DECIMALS ANGULAR | |  4 THOMAS, IRVINE, CA. 92618 TEL: (949) 951-8808 FAX: (949) 951-3974 | |
|  | | | |
| DESIGNED: TD. Nguyen | DATE: 04/30/17 | TITLE: IP67 RATED PANEL MOUNT FLP INDICATOR, ORCA | |
| CHECKED: K. Baron | DATE: 04/30/17 | PART NO: OR4-X.X-XXX-F9PX67PR CAGE CODE : 32559 SHEET # 2 OF 2 | |
| | | REVISION: A <small>CAD GENERATED DOCUMENT. DO NOT MEASURE DRAWING.</small> | |